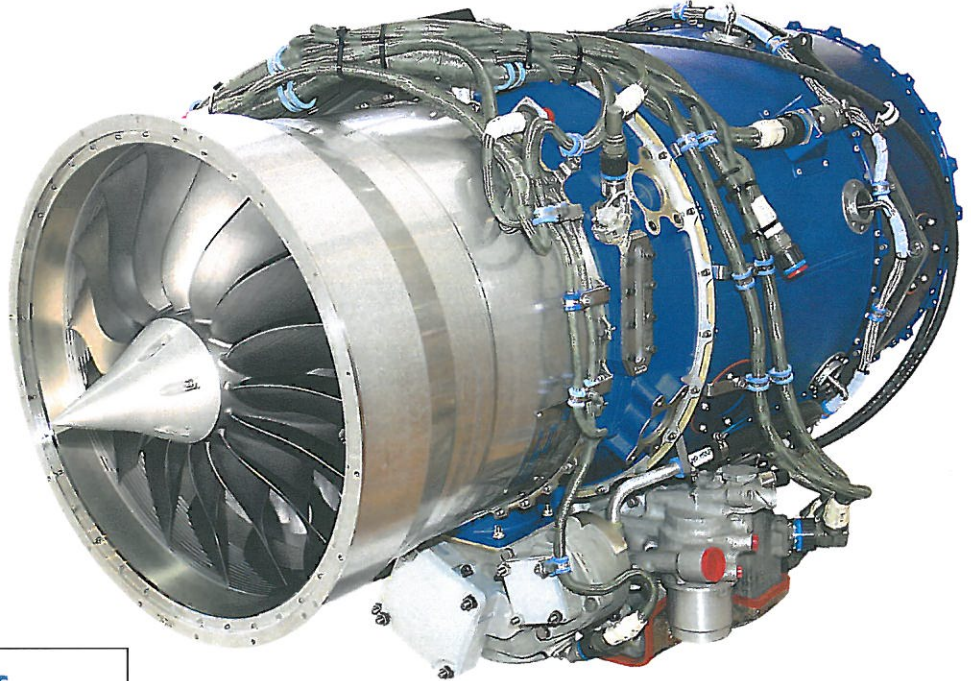


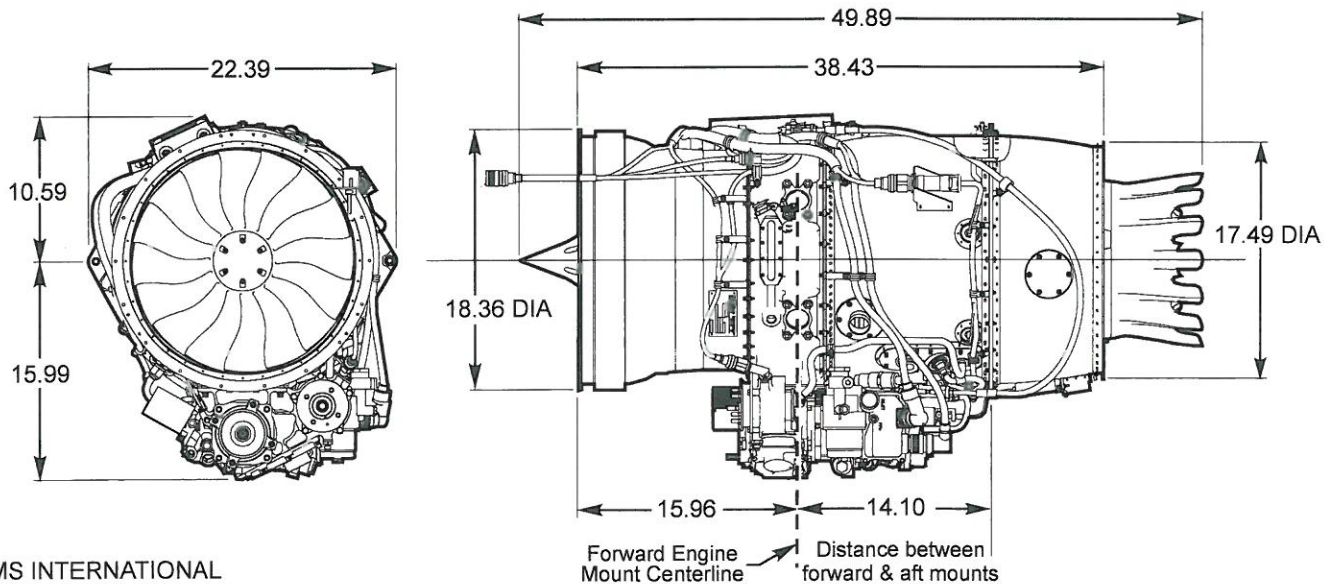


FJ33-5A Turbofan Engine Powers Flaris LAR-1

The robust, reliable FJ33-5 helps make the Flaris jet safer than other light planes. Turbofan engines are more reliable than piston engines, and the FJ33 turbofan in Flaris is especially reliable due to its mature and robust design. The FJ33 is a direct scale of the larger FJ44 engine family that has accumulated 10,000,000 flight hours, so the engine design has proven to be rugged. The one-piece titanium fan has proven so rugged that Williams International covers foreign object damage (FOD) in its comprehensive maintenance program called TAP Blue.



Engine Characteristics		
Thrust	8.21 kn	1846 lbf
Diameter	46.63 cm	18.36 in
Length	97.61 cm	38.43 in
Weight (dry)	<140 kg	<310 lb



WILLIAMS INTERNATIONAL
2280 E. West Maple Road
P.O. Box 200
Walled Lake, MI 48390-0200 USA
e-mail: mhuff@williams-int.com
Fax (248) 624-5345
www.williams-int.com

Maintenance by the engine manufacturer enhances safety

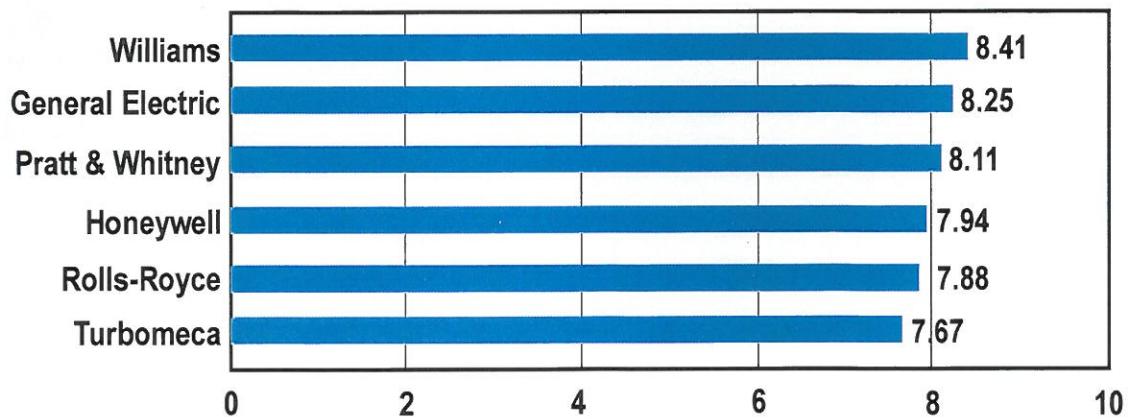
All parts and labor to maintain the FJ33 engine are provided by Williams International and its authorized service centers. To further enhance safety, all Flaris engines are covered by Williams International's Total Assurance Program (TAP Blue). Since TAP Blue provides complete maintenance of the FJ33 engine, and there are no added costs to the customer beyond the fee-per-flight-hour, customers are motivated to quickly bring any concern to their FJ33 service center, and to keep all of their engine inspections current.

TAP Blue is the most comprehensive maintenance program

What is covered?	What are the benefits?
Scheduled maintenance Routine periodic inspection Major periodic inspections Unscheduled maintenance Foreign object damage repair Replacement of life-limited parts Incorporation of service bulletins Recommended, mandatory, and optional	Enhanced safety and reliability Higher resale value Lower insurance costs Predictable costs (no surprises!)

Williams provides the best customer service

2014 results from Pro Pilot's product support survey



Williams International

The Power of Vision